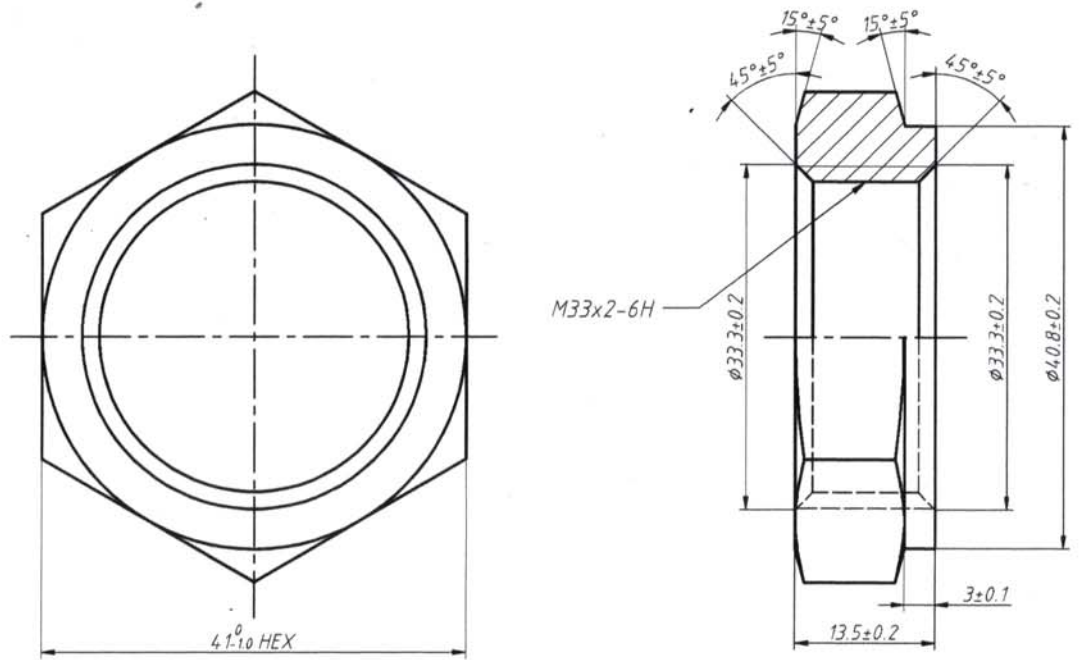


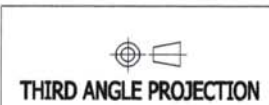
REV 更改号	DATE 日期	REVISION DETAILS 更改内容	APPD 审核并批准
A	May. 12. 2021	Production issue	



UNLESS SPECIFIED
 ALL DIMENSIONS ARE IN mm,
 ROUGHNESS ON
 HEXAGON SURFACE
 MACHINED SURFACE Ra=3.2µm,
 ANGLES TOLERANCE ±5°,
 DIMENSIONS TOLERANCE ±0.25mm,
 REMOVE ALL BURRS, SLIVERS AND
 SWARF,
 BREAK ALL SHARP EDGES R<0.5mm

其它事项,
 图示尺寸单位为mm,
 六角面粗糙度
 未注机加工表面粗糙度 Ra=3.2µm,
 未注角度公差 ±5°,
 未注尺寸公差 ±0.25mm
 去除所有毛刺及金属切屑,
 锐边倒钝R<0.5mm.

Zhejiang Gaocheng Autoparts Co.,Ltd



PART No
零件名 R344-M33-HDU

MATERIAL Chinese steel 45# 材料 45号钢

SCALE: APPD: 批准 DRN: 余德胜
 NTS DATE: 日期 2021.05.12
 CHK: 詹永斌
 审核 2021.05.12

FINISH ZINC PLATING WITH 8um MICRONS MINIMUM PLATING THICKNESS AND TRIVALENT CHROMATE PASSIVATION AND WITHSTAND 96 HRS TO WHITE / 144 HS TO RED RUST IN SALT SPRAY TEST.
 镀锌, 三价铬钝化, 银白色, 盐雾试验96小时无白斑, 144小时无红锈, 镀锌层厚度大于8um.